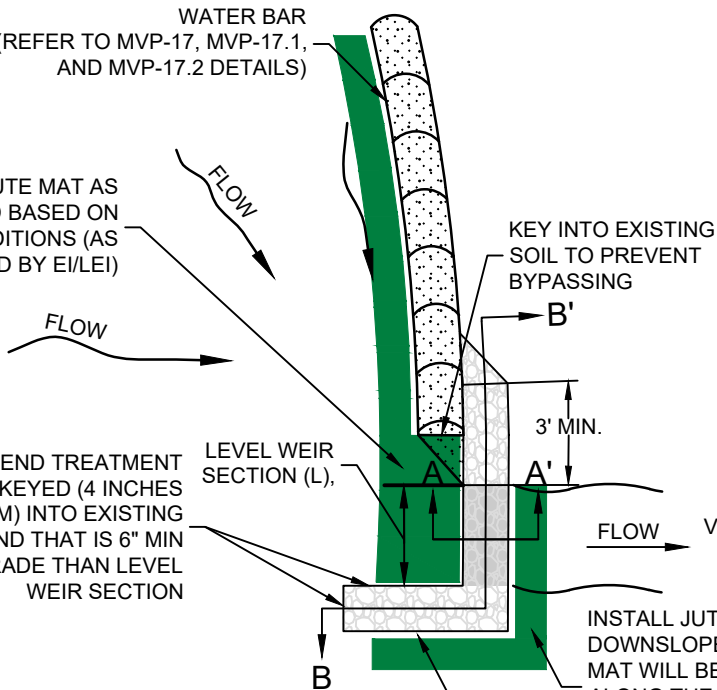


WATER BAR  
(REFER TO MVP-17, MVP-17.1,  
AND MVP-17.2 DETAILS)

INSTALL JUTE MAT AS  
NEEDED BASED ON  
SOIL CONDITIONS (AS  
DIRECTED BY E/I/LEI)

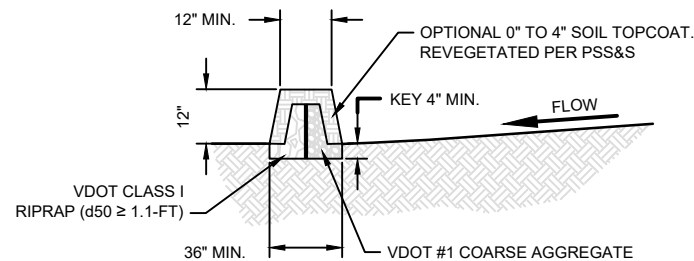
WATER BAR END TREATMENT  
TO BE KEYED (4 INCHES  
MINIMUM) INTO EXISTING  
GROUND THAT IS 6" MIN  
HIGHER GRADE THAN LEVEL  
WEIR SECTION



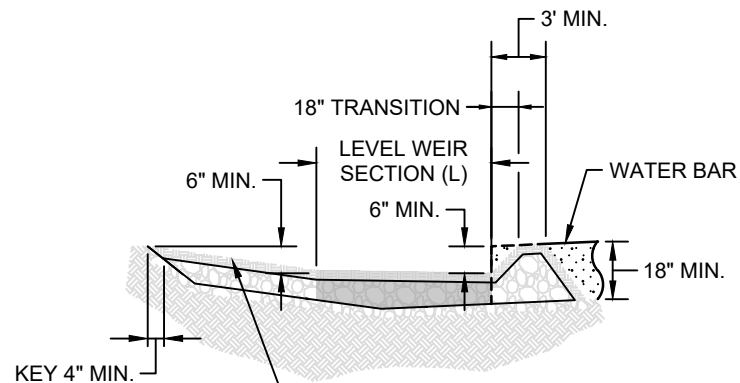
INSTALL JUTE MAT ON AREAS  
DOWNSLOPE ALONG FLOW PATH. JUTE  
MAT WILL BE 8" WIDE ON CONTOUR  
ALONG THE WEIR SECTION OF THE END  
TREATMENT. JUTE TO BE KEYED INTO  
BASE OF RIPRAP.

MAINTAIN 12" WEIR HEIGHT ACROSS  
ENTIRE LENGTH, INCLUDING THE  
EXTENT BEYOND THE LEVEL WEIR  
SECTION KEYED INTO EXISTING  
GROUND.

LEVEL WEIR SECTION LENGTHS	
D.A. [AC]	LENGTH ,L (FT) [SEE NOTE #1]
$\leq 0.5$	10
$0.5 \leq 1.0$	15
$1.0 \leq 1.5$	20
$> 1.5$	SITE SPECIFIC



XS: A-A'



XS: B-B'  
OPTIONAL 0" TO 4" SOIL TOPCOAT.  
REVEGETATED PER PSS&S.

NOTE: LEVEL WEIR SECTION OF WATERBAR END TREATMENT TO BE CONSTRUCTED ON CONTOUR AS SHOWN ON DETAILS MVP-17.3, MVP-17.4, MVP-17.5, AND MVP-17.6.

DRAWN	JZ	DATE	05/09/2022
CHECKED	DCW	DATE	05/09/2022
APP'D	TD	DATE	05/09/2022
SCALE	N.T.S.	SHEET	1 OF 1
JOB NO.			
PROJECT ID:			
MVP - VA PORTION			



DESIGN ENGINEERING

TYPICAL CONSTRUCTION DETAIL

PERMANENT WATERBAR END TREATMENT DETAIL

DRAWING NO.  
MVP-17.7

REV.  
1

